

TABLE:

GT50-B50 PACKING

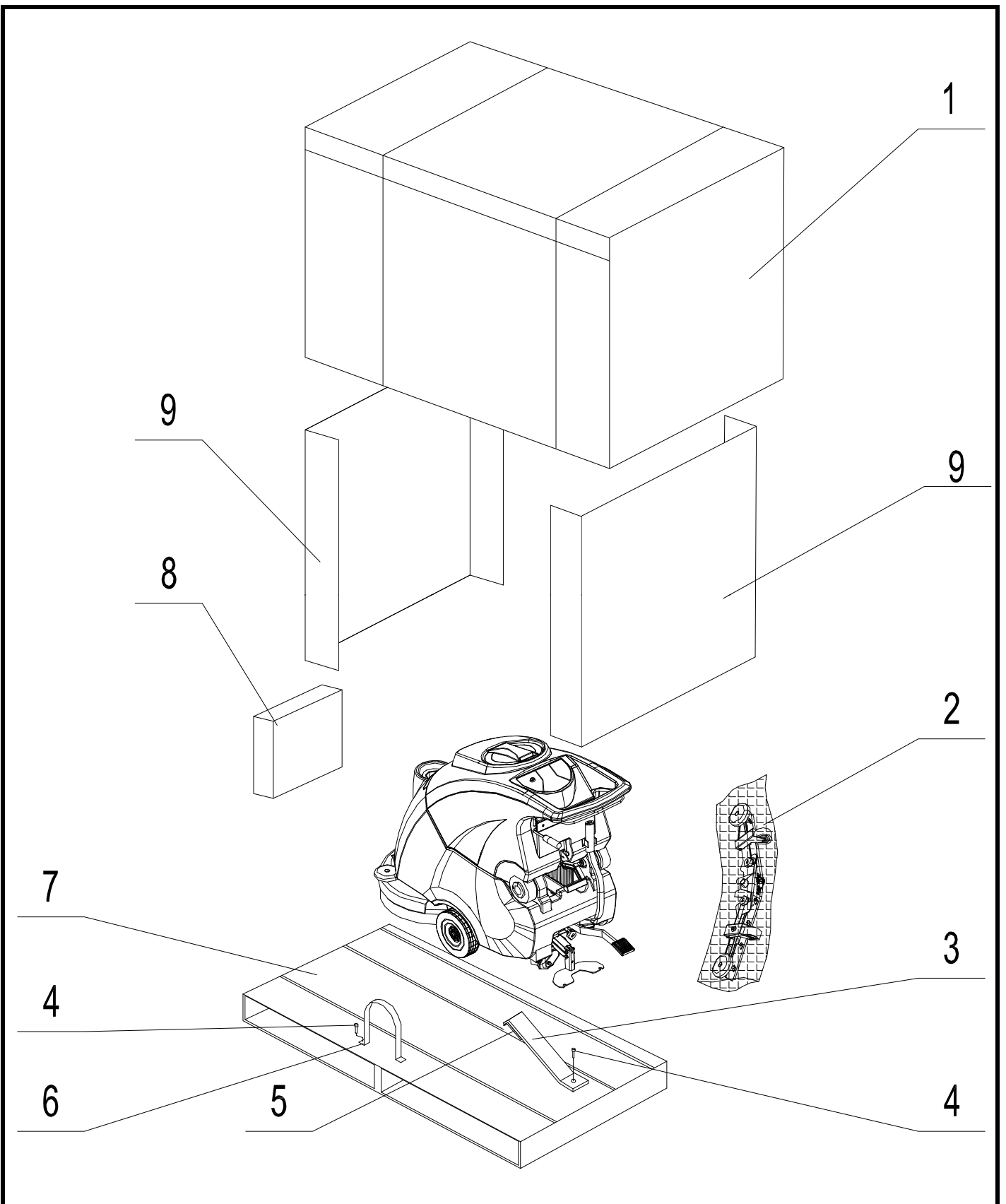


TABLE:		GT50-B50 PACKING				
Ref	Code	Description	Specification	Qty	From	To
1	PK00003	Carton		1		
2	PK00043	Bag		1		
3	BJ00038	Hook		1		
4	BZ00107	Screw	M5×25	9		
5	MF00017	Sponge		1		
6	BJ00037	Hook		2		
7	PK00027	Pallet		1		
8	PT00019	Brush		1		
9	PK00026	Paperboard		2		

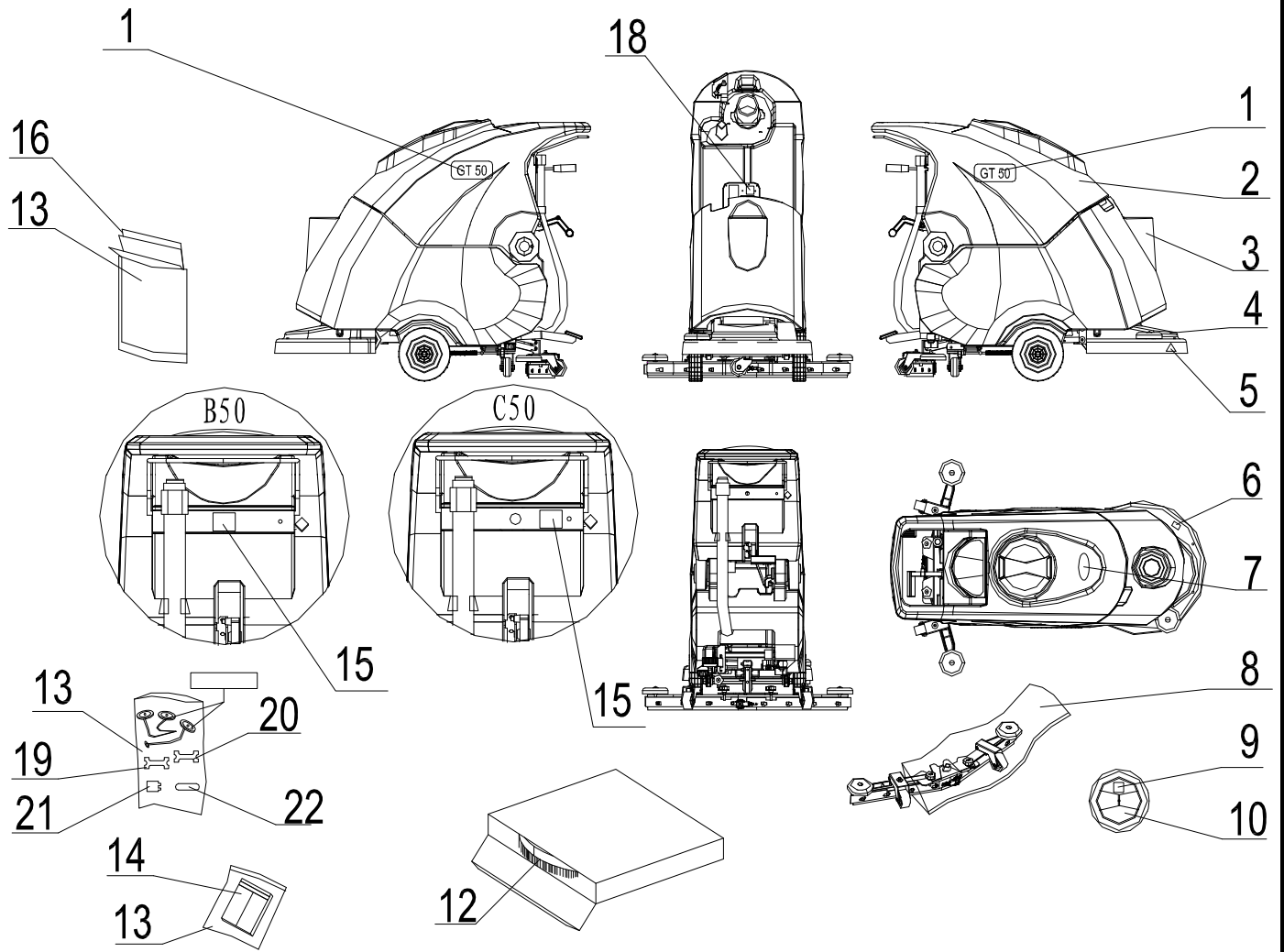


TABLE:		GT50-B50 LABEL				
Ref	Code	Description	Specification	Qty	From	To
1	LB00007	Model label		2		
5	LB00004	Triangle stickers		1		
6	LB00006	Warning stickers		1		
7	LB00008	Logo label		1		
8	PK00043	Bag	28×103MM	1		
9	LB00003	Cover sticker		1		
13	PK00009	Bag		3		
14	PK00008	Manual		1		
15	LB00002	Warning stickers		1		
16	PK00007	Warranty card		1		
18	LB00005	FUSES labe		1		
19	DQ00183	30A fuse	30A	2		
20	DQ00182	50A fuse	50A	2		
21	DQ00124	FUSE	5A	1		

TABLE:

GT50-B50 CONTROL BOARD

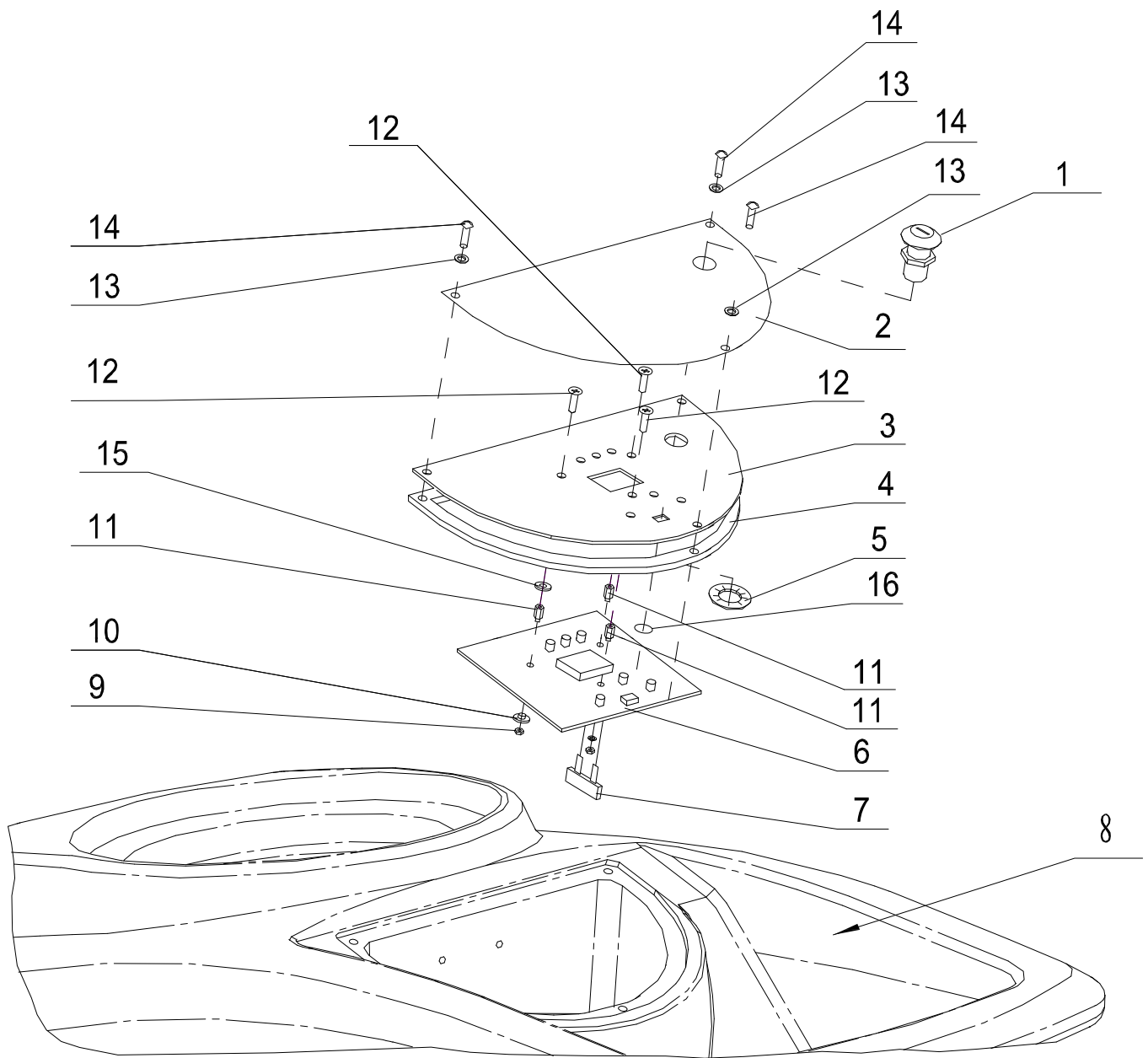


TABLE:		GT50-B50 CONTROL BOARD				
Ref	Code	Description	Specification	Qty	From	To
1	PT00015	Key switch	ø20	1		
2	LB00001	Control board sticker		1		
3	BJ00025B	Plate		1		
4	MF00011	Gasket		1		
5	BZ00045	Washer	ø20	1		
6	DQ00179	Control board		1		
7	DQ00026	Fuse	2A	1		
9	BZ00003A	Screw	M3×6	3		
10	BZ00118	Screw	Ø3x1mm	3		
11	BZ00056	Screw	M6X10X6MM	3		
12	BZ00237	Screw	M3×8	3		
13	BZ00010A	Flate washer	ø4	3		
14	BZ00055	Screw	M4×10	3		
15	DQ00181	Flate washer	Ø3x1mm	3		
16	MF00089	Sponge pad	Ø8x1mm	1		

TABLE:

GT50-B50 CHARGING SOCKET BOARD

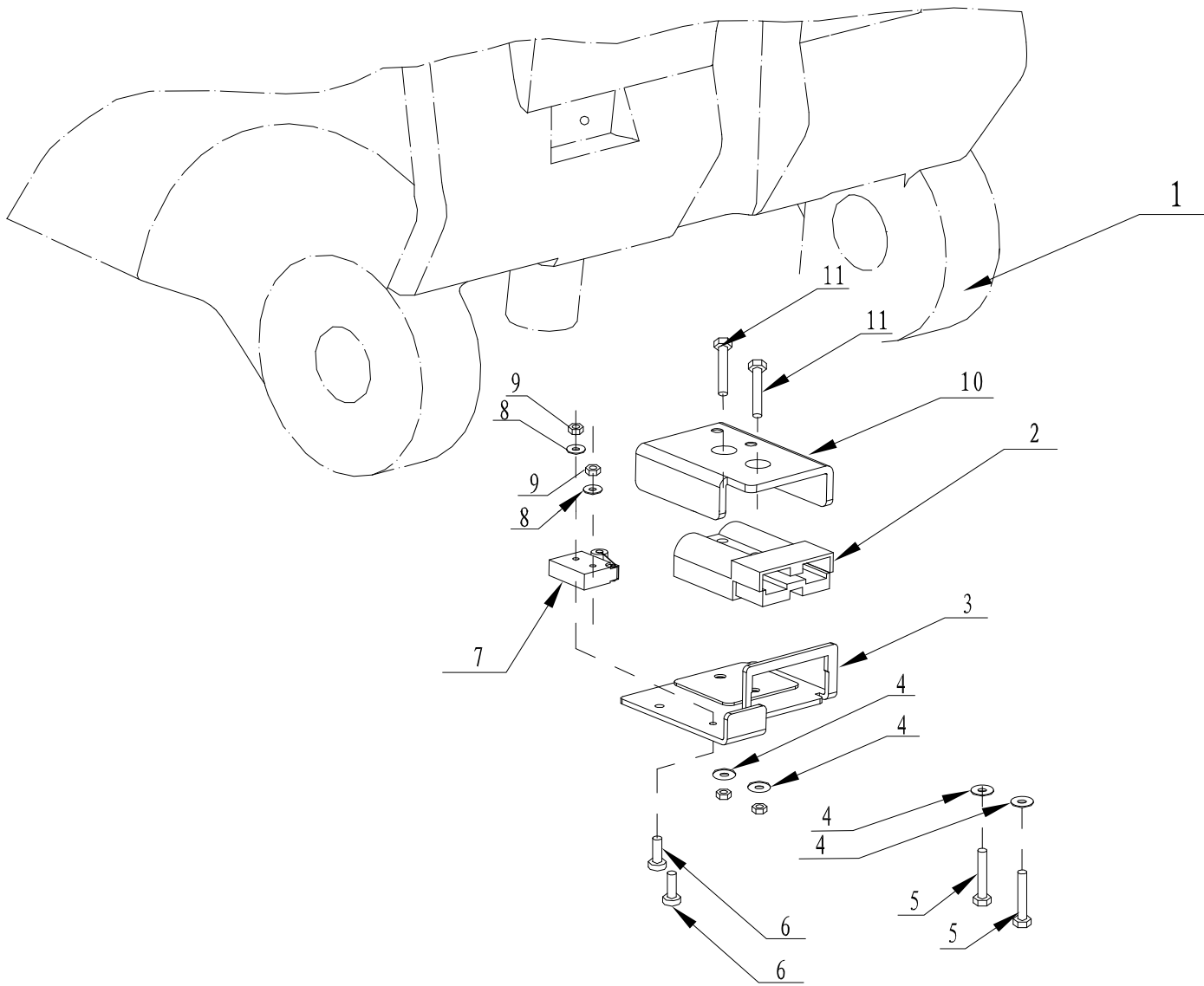


TABLE: GT50-B50 CHARGING SOCKET BOARD						
Ref	Code	Description	Specification	Qty	From	To
2	DQ00001	Charger connector		1		
3	BJ00027C	Charging plug fixed plate		1		
4	BZ00010A	Flat washer	M4	4		
5	BZ00169	Screw	M4×10	2		
6	BZ00206	Screw	M2×12	2		
7	PT00029	Micro switch group		1		
8	BZ00269	Flat washer	ø2	2		
9	BZ00205	Screw	M2×12	2		
10	BJ00165A	Plate		1		
11	BZ00057	Screw	M4×25	2		

TABLE:

GT50-B50 SOLUTION TANK

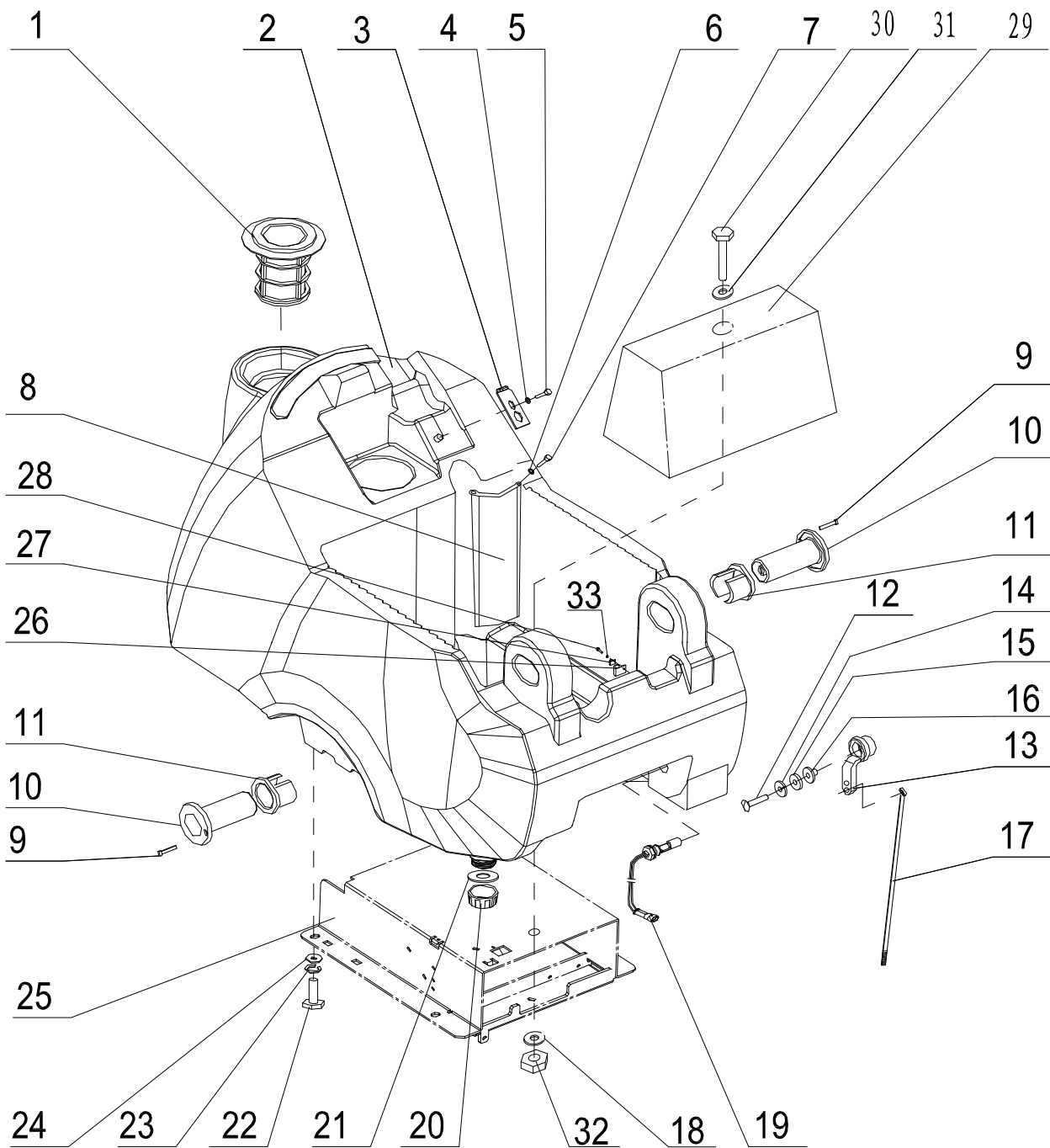


TABLE:		GT50-B50 SOLUTION TANK				
Ref	Code	Description	Specification	Qty	From	To
1	LW00002	Filter		1		
2	PT00004	Solution tank		1		
3	BJ00021	Buckle		1		
4	BZ00028A	Flat washer	ø6	1		
5	BZ00018A	Screw	M6×12	1		
6	BZ00010A	Flat washer	ø4	2		
7	BZ00055	Screw	M4×10	2		
8	MF00006A	Spacer	2.0MM/PVC	1		
9	BZ00164	Screw	M4×12	2		
10	PT00008	Plastic shaft		2		
11	MF00001B	Washer		2		
12	BZ00020A	Screw	M6×20	1		
13	ZS00002	Lever		1		
14	JG00025	Washer		1		
15	BZ00028A	Flat washer	ø6	1		
16	BZ00029A	Spring washer	ø6	1		
17	JG00006A	Lever		1		
19	PT00013-2	Float switch	LFS-YZ-IV(Black)	1		
20	ZS00001	Cover		1		
21	MF00003A	Sealing washer		1		
22	BZ00030A	Screw	M8×16	4		
23	BZ00002A	Spring washer	ø8	4		
24	BZ00037A	Flat washer	ø8	4		
26	WG00026	Clip		1		
27	WG00031	Clip		1		
28	BZ00011	Screw	M5×10	1		
33	BZ00017A	Flat washer	ø5	1		

TABLE:

GT50-B50 RECOVERY TANK

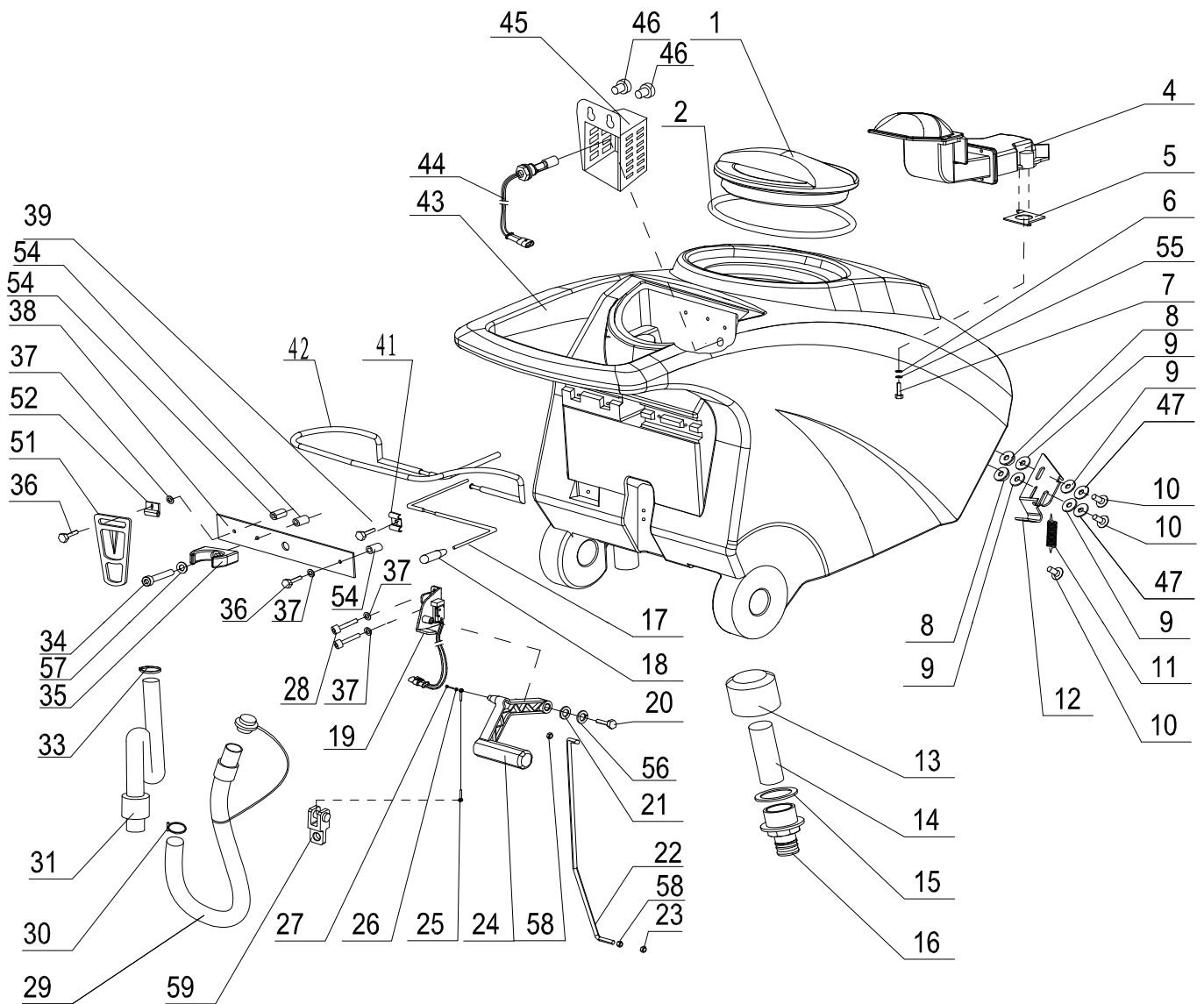


TABLE:		GT50-B50 RECOVERY TANK				
Ref	Code	Description	Specification	Qty	From	To
1	ZS00006	Cover		1		
2	MF00002A	Gasket		1		
4	CPT00022	Plastic absorb		1		
5	MF00008	Sealing washer		1		
6	BZ00010A	Flat washer	ø4	2		
7	BZ00006A	Screw	M4×16	2		
8	JG00026	Bushing		2		
9	MF00007	Washer		4		
10	BZ00019A	Screw	M6×16	3		
11	TW00006	Spring		1		
12	BJ00022	Plate		1		
13	WG00029B	Elbow		1		
14	WG00028C	Straight pipe		1		
15	MF00016	Sealing washer		1		
16	ZS00003A	Connector		1		
17	JG00007	Handle		1		
18	WG00010	Handle cover		1		
20	BZ00018A	Screw	M6×12	1		
21	BZ00028A	Flat washer	ø6	1		
22	JG00009A	Lever		1		
23	BZ00027A	Nut	M6	1		
24	ZS00007A	Squeegee handle		1		
25	WG00009B	Cable		1		
26	BZ00010A	Flat washer	ø4	1		
27	BZ00164	Screw	ø4×12	1		
28	BZ00074A	Screw	M5×12	2		
29	WG00012B	Sewage drain pipe		1		
30	WG00102	Clamp	27-51	1		
31	WG00011C	Suction hose		1		
33	WG00102	Clamp	27-51	1		
34	BZ00207	Screw	M5×35	1		
35	WG00103	Clip	2955 M40	1		
36	BZ00013A	Screw	M5×16	2		
37	BZ00017A	Flat washer	ø5	4		
38	BJ00020A	Plate		1		
39	BZ00011	Screw	M5×10	3		
41	BJ00033	Positioning tablet		1		
42	JG00010B	Pole		1		
43	PT00003	Recovery tank		1		
44	PT00013-2	Float switch	LFS-YZ-IV(Black)	1		
45	LW00003	Protection cover		1		
46	BZ00120	Screw	M4×12	2		
47	JG00029	Washer		2		
54	JG00048	Bushing		3		
55	BZ00059A	Spring washer	ø4	2		
56	BZ00029A	Spring washer	ø6	1		
57	BZ00017A	Flat washer	ø5	1		
58	BZ00086	Nut	M6	2		

TABLE:

GT50-B50 CHASSIS

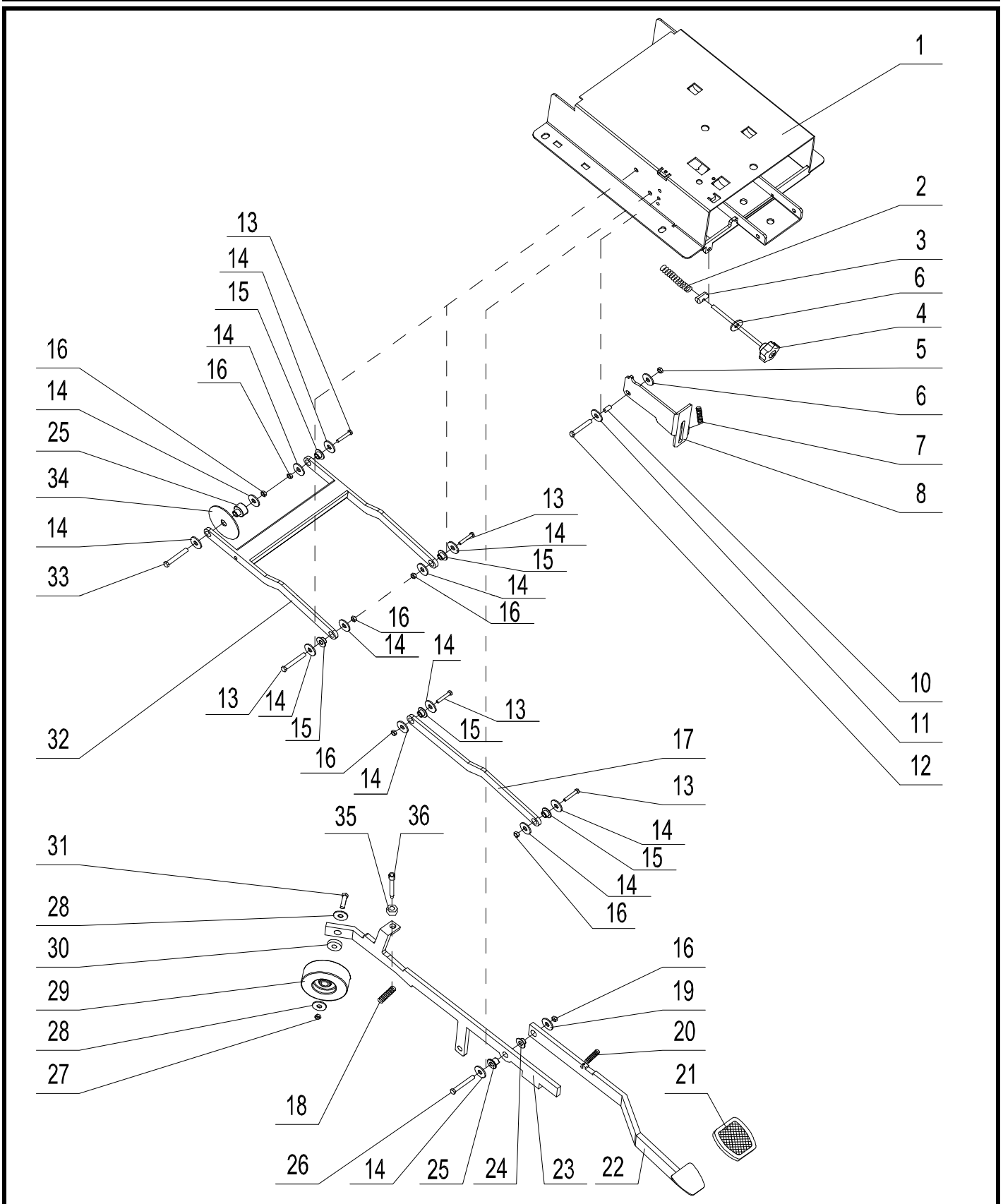


TABLE:		GT50-B50 CHASSIS				
Ref	Code	Description	Specification	Qty	From	To
1	BJ00006A	Chassis		1		
2	TW00003	Spring		1		
3	JG00020	Nut		1		
4	WG00016	Lever		1		
5	BZ00027A	Nut	M6	1		
6	BZ00028A	Flat washer	ø6	1		
7	TW00004	Spring		1		
8	BJ00005B	Lock plate		1		
10	JG00018	Copper sleeve	ø8×7	1		
11	BZ00028A	Flat washer	ø6	1		
12	BZ00020A	Screw	M6×20	1		
13	BZ00031A	Screw	M8×25	5		
14	BZ00037A	Flat washer	ø8	13		
15	JG00014	Sleeve	ø20×8	5		
16	BZ00036A	Nut	M8	7		
17	BJ00012	Arm 2		1		
18	TW00008A	Spring		1		
19	BZ00060A	Flat washer	ø8(outø25 inø8)	1		
20	TW00004	Spring		1		
21	WG00015	Pedal plate		1		
22	BJ00004B	Lever		1		
23	BJ00003C	Lever		1		
24	JG00017	Copper sleeve	ø20×13	1		
25	JG00015	Copper sleeve	ø22×20	2		
26	BZ00035	Screw	M8×50	1		
27	BZ00062A	Nut	M10	1		
28	BZ00063A	Flat washer	ø10	2		
29	WG00013A	Wheel		1		
30	BZ00063A	Flat washer	ø10	1		
31	BZ00064	Screw	M10×65	1		
32	BJ00010	Arm 1		1		
33	BZ00033	Screw	M8×35	1		
34	MF00005	Washer		1		
35	BZ00036A	Nut	M8	1		
36	BZ00101	Screw	M8×40	1		

TABLE:

GT50-B50 WHEEL

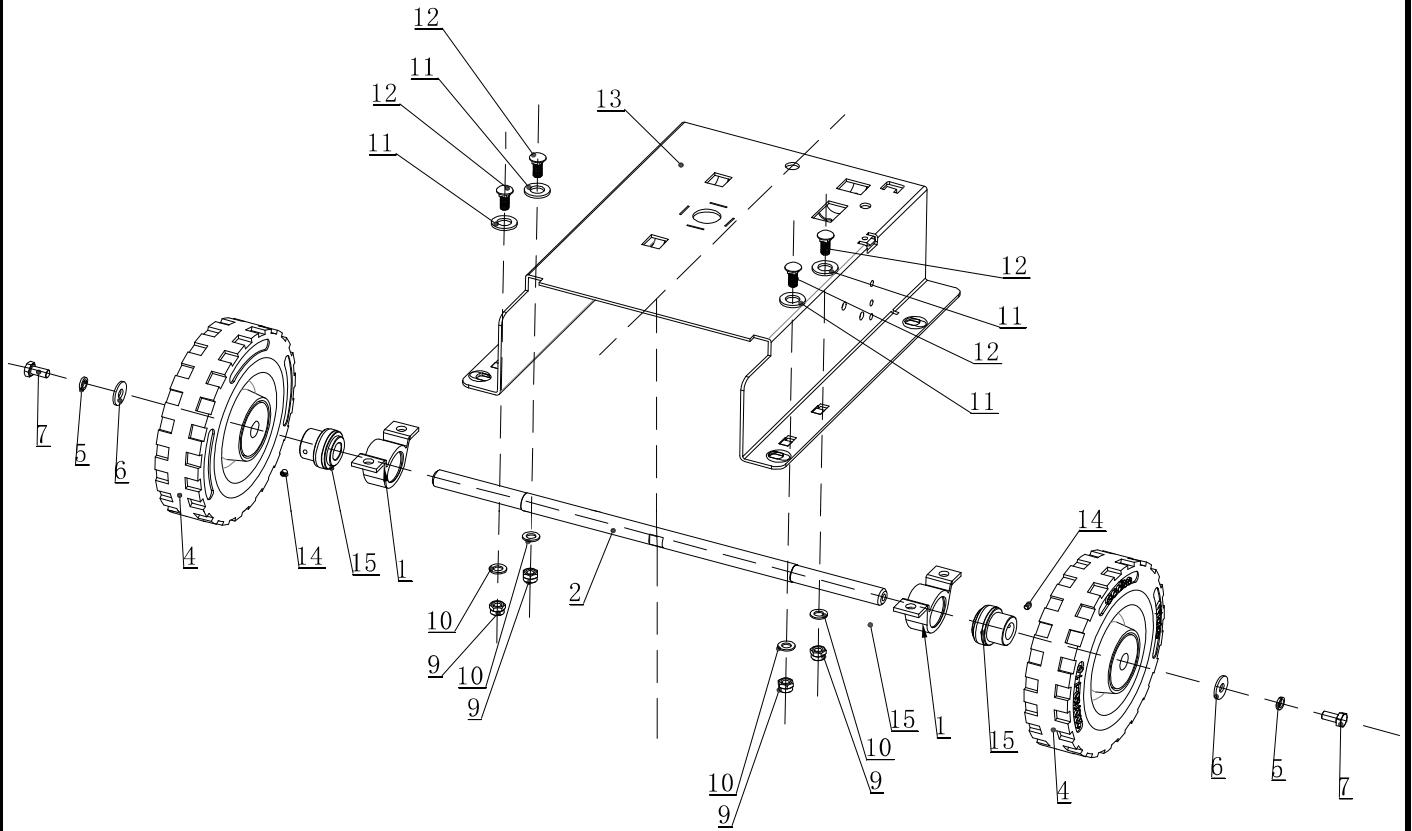


TABLE:		GT50-B50 WHEEL				
Ref	Code	Description	Specification	Qty	From	To
1	WG00161	Bearing	PP203	2		
2	JG00011C	Axle		1		
4	WG00002A	Wheel		2		
5	BZ00002A	Spring washer	ø8	2		
6	BZ00060A	Washer	ø8(outø25 inø8)	2		
7	BZ00030A	Screw	M8×16	2		
9	BZ00036A	Nut	M8	4		
10	BZ00037A	Flat washer	ø8	4		
11	BZ00042	Flat washer	ø12	4		
12	BZ00113	Screw	M8×20	4		
13	BJ00006A	Chassis		1		
14	BZ00289	Screw	M5×6	2		
15	JG00191	Sleeve		2		

TABLE:

GT50-B50 CASTER

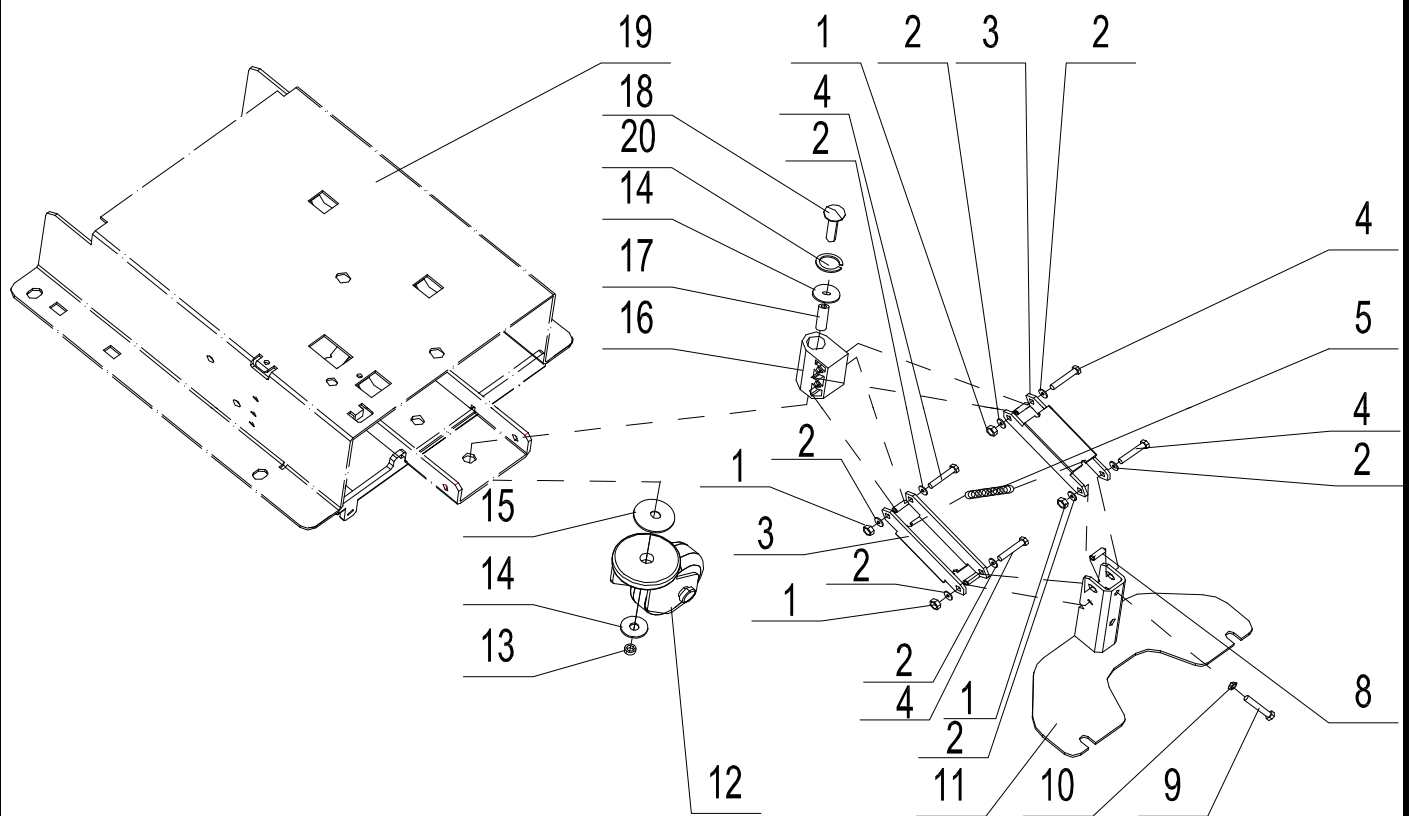


TABLE:		GT50-B50 CASTER				
Ref	Code	Description	Specification	Qty	From	To
1	BZ00027A	Nut	M6	4		
2	BZ00028A	Flat washer	ø6	8		
3	BJ00009	Lever		2		
4	BZ00022	Screw	M6×45	4		
5	TW00011B	Spring	1.8×12×38×20	1		
8	JG00039A	Positioning arm		4		
9	BZ00033	Screw	M8×35	1		
10	BZ00001A	Nut	M8	1		
11	BJ00011B	Plate		1		
12	WG00014	Caster		1		
13	BZ00041A	Nut	M12	1		
14	BZ00042	Flat washer	ø12	2		
15	JG00028	Washer		1		
16	ZS00011	Slide plate		1		
17	JG00016	Copper bushing	ø16×62	1		
18	BZ00075	Screw	M12×110	1		
20	BZ00109	Spring washer	ø12	1		

TABLE:

GT50-B50 SQUEEGEE

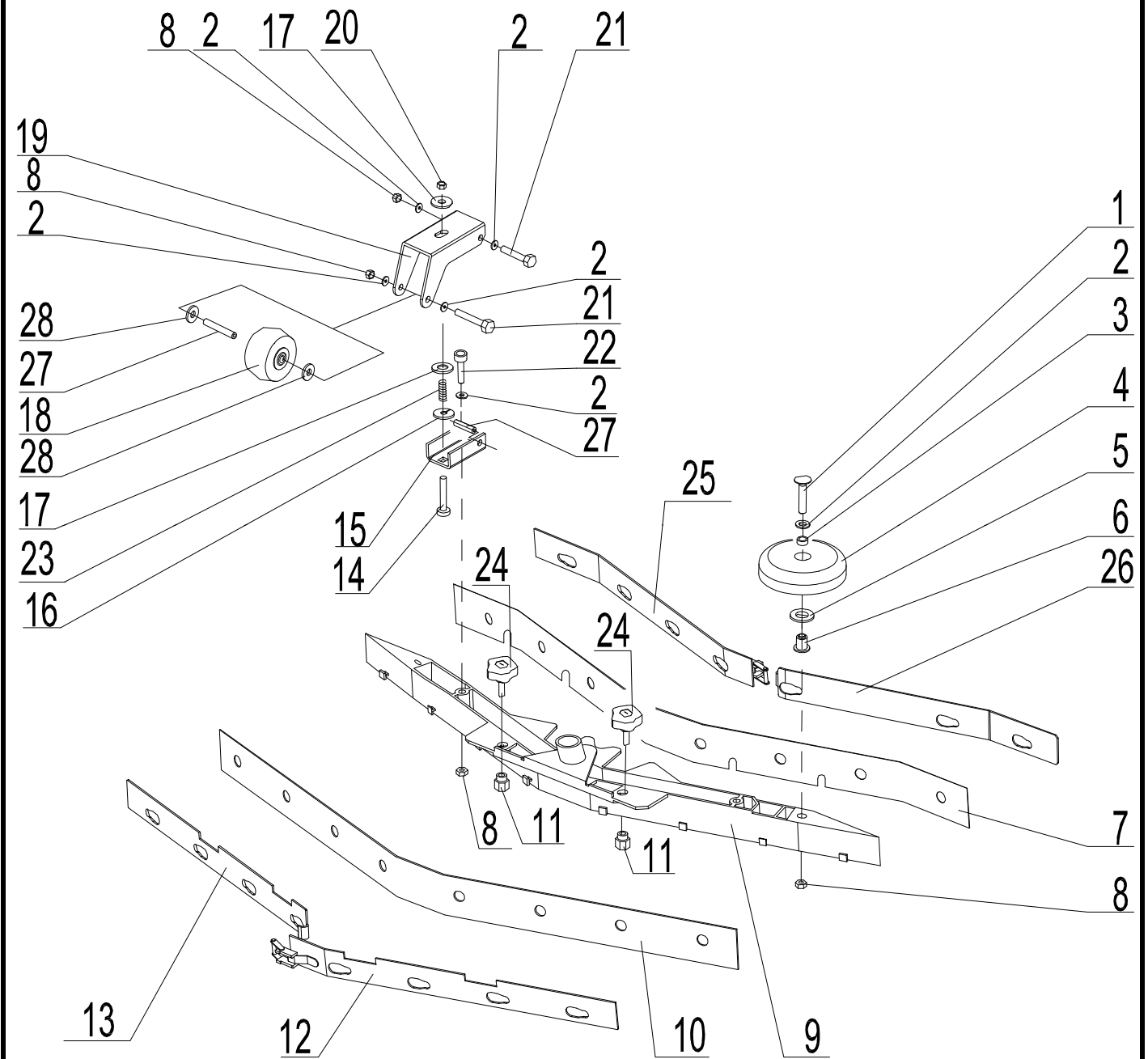


TABLE:		GT50-B50 SQUEEGEE				
Ref	Code	Description	Specification	Qty	From	To
1	BZ00071	Screw	M6×60	2		
2	BZ00028A	Flat washer	ø6	12		
3	ZS00009	Cover		2		
4	ZS00010	Wheel		2		
5	BZ00042	Flat washer	ø12	2		
6	JG00003A	Bushing		2		
7	WG00005B	Front blade - Economy		1		
8	BZ00027A	Nut	M6	8		
9	YZ00002	Squeegee body		1		
10	WG00006B	Rear blade - Economy		1		
11	FB00008	Copper unit	M8×18,4×13,5	2		
12	PT00005	Right rear blade holder		1		
13	BJ00019	Left rear blade holder		1		
14	JG00004A	Screw	M8×40	2		
15	BJ00026	Bracket		2		
16	BZ00153	Gasket	ø6	2		
17	BZ00037A	Flat washer	ø8	4		
18	WG00003	Wheel		2		
19	BJ00015	Block		2		
20	BZ00036A	Nut	M8	4		
21	BZ00026	Screw	M6×55	4		
22	BZ00099	Screw	M6×45	2		
23	TW00007A	Spring		2		
24	WG00004A	Knob		2		
25	PT00006	Squeegee blade holder-Left		1		
26	BJ00017	Squeegee blade holder-Right		1		
27	JG00040A	Squeegee spacer		4		
28	JG00042	Gasket		4		
29	PT00011	Squeegee complete		1		

TABLE:

GT50-B50 SQUEEGEE HOLDER

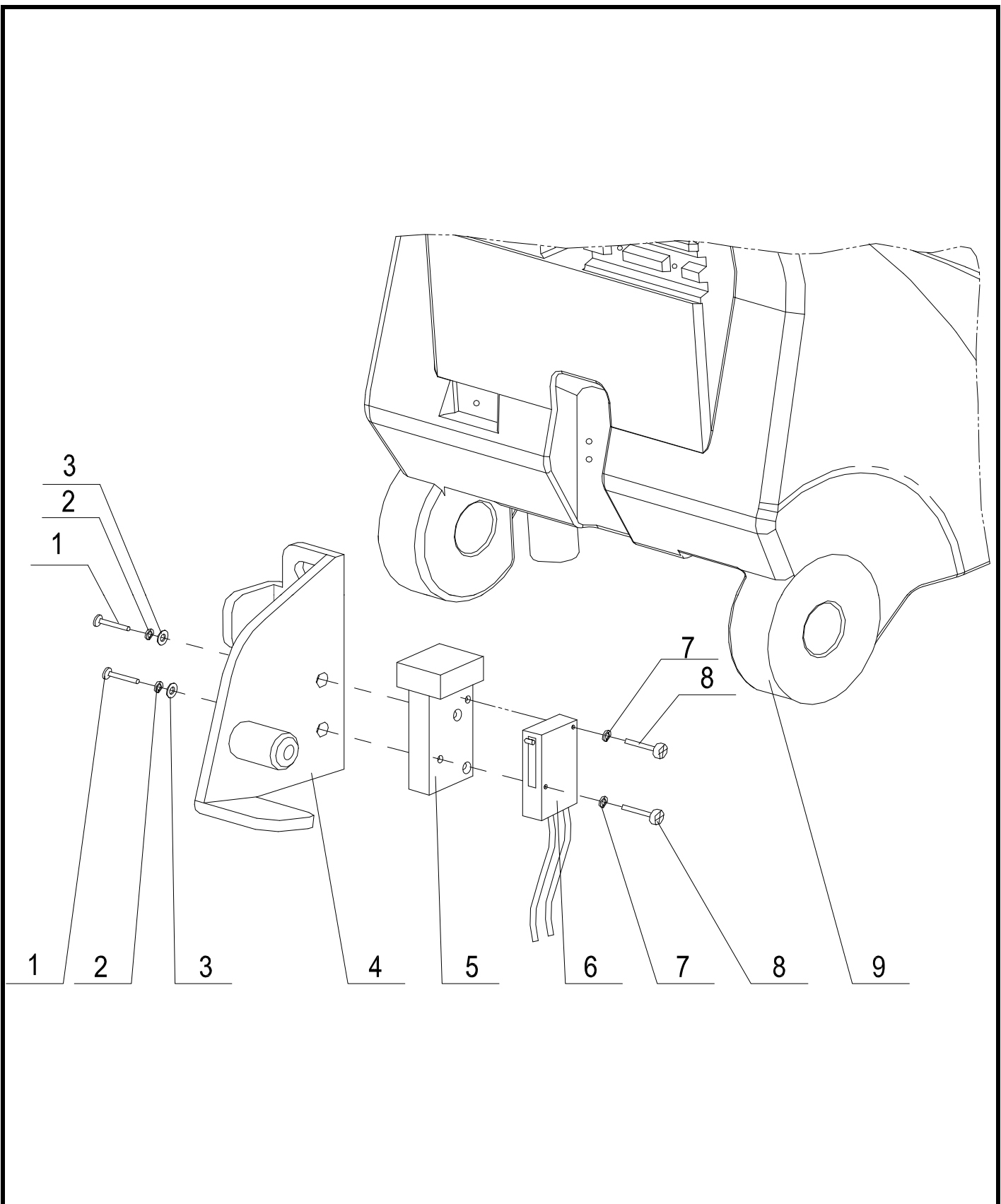


TABLE:		GT50-B50 SQUEEGEE HOLDER				
Ref	Code	Description	Specification	Qty	From	To
1	BZ00234	Screw	M4×10	2		
2	BZ00059A	Spring washer	∅4	2		
3	BZ00010A	Flat washer	∅4	2		
4	BJ00023A	Plate		1		
5	JG00008	Adjusting plate		1		
6	PT00014	Micro switch	5A/250V	1		
7	BZ00052	Spring washer	M3	2		
8	BZ00004A	Screw	M3×16	2		

TABLE:

GT50-B50 OUTLET TUBE

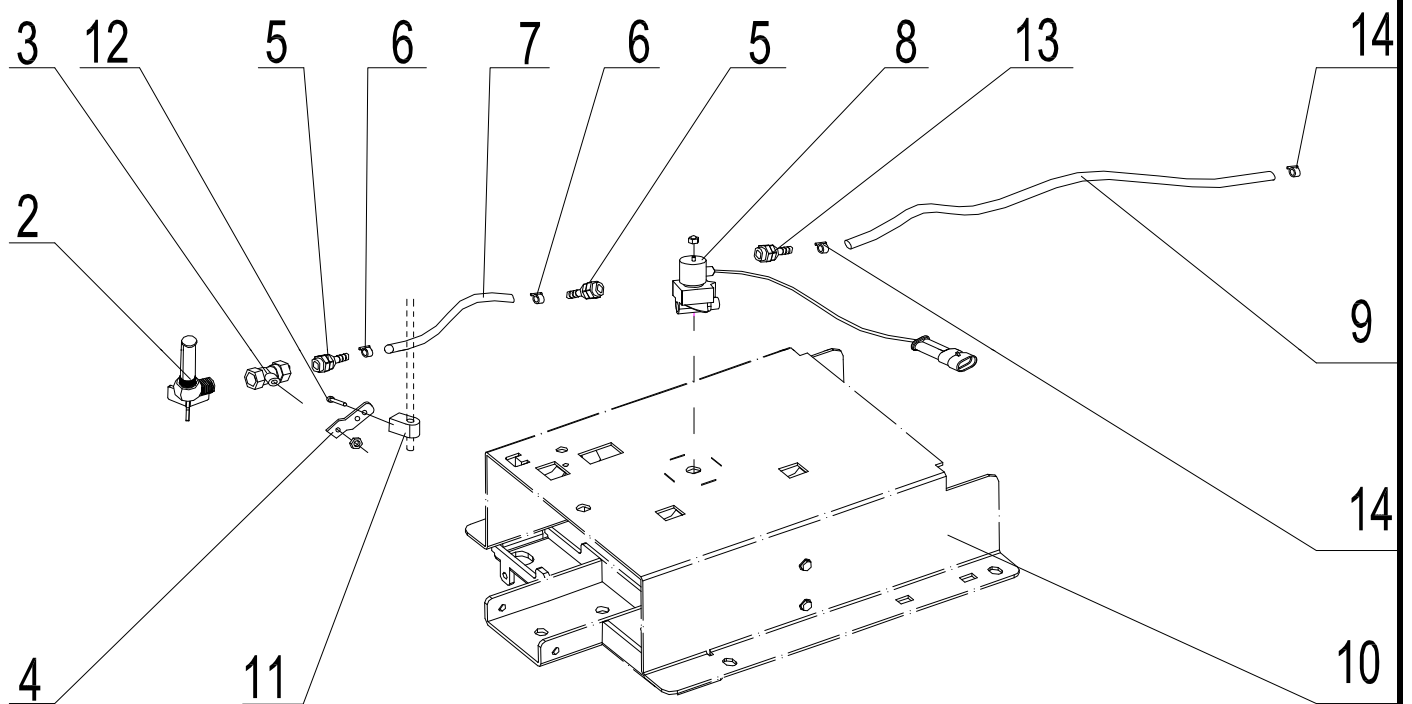


TABLE:		GT50-B50 OUTLET TUBE				
Ref	Code	Description	Specification	Qty	From	To
2	JG00033	Drain valve		1		
3	DQ00016	Valve		1		
4	BJ00002	Valve handle		1		
5	WG00020	Connector	1/2"	2		
6	WG00019	Clamp	1/2"	2		
7	WG00021	Steel tube	150mm(内径ø12, 外ø16)	1		
8	CPT00001	Solenoid valve	24V	1		
9	WG00106	Steel tube	510mm(inø9, outø13)	1		
11	JG00043	Block		1		
12	BZ00018A	Screw	M6×12	1		
13	WG00105	Connector	1/4"	1		
14	WG00104	Clamp	1/4"	2		

TABLE:

GT50-B50 BRUSH COVER

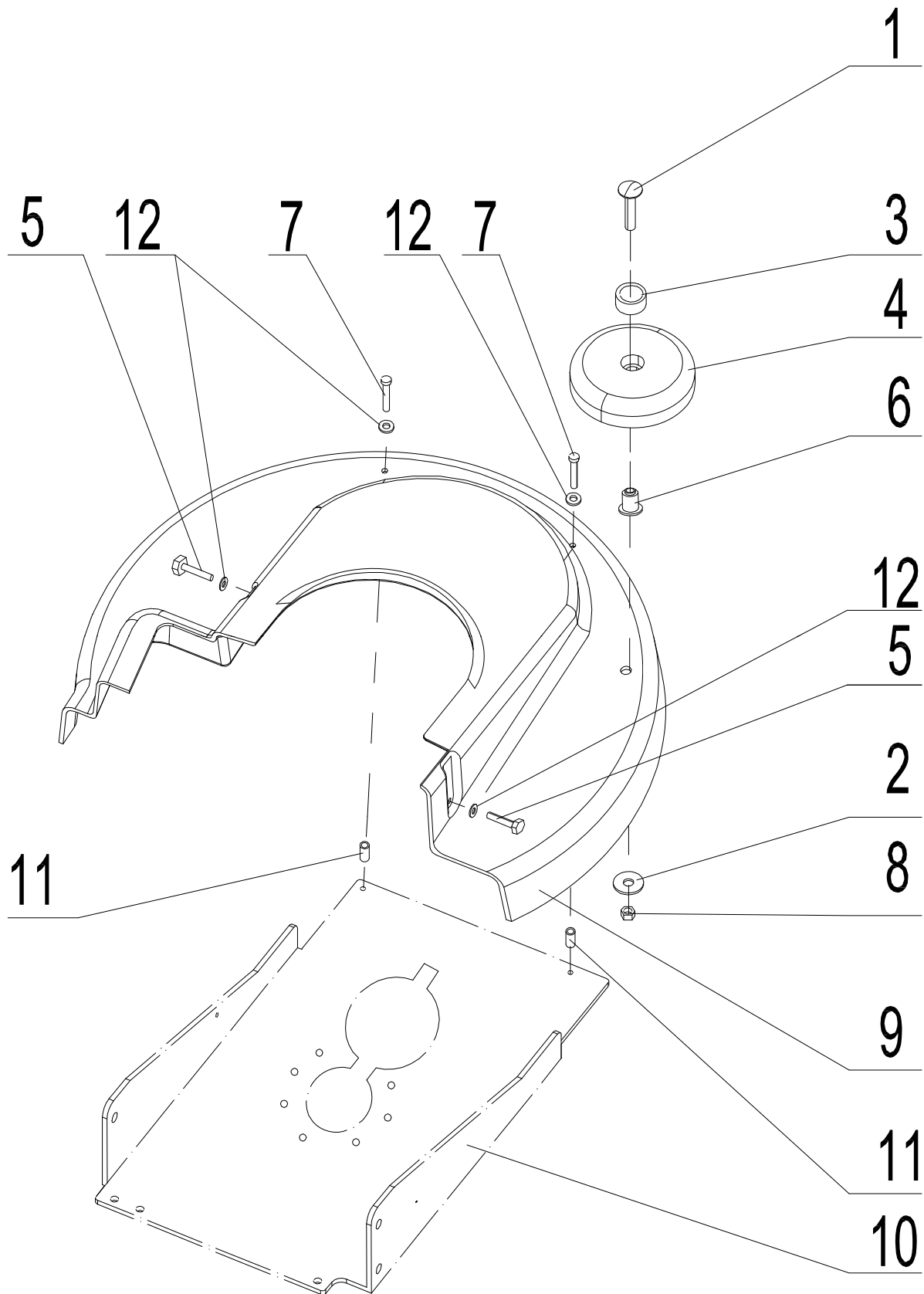


TABLE:		GT50-B50 BRUSH COVER				
Ref	Code	Description	Specification	Qty	From	To
1	BZ00033	Screw	M8×35	1		
2	BZ00037A	Flat washer	ø8	2		
3	ZS00009	Cover		1		
4	ZS00010	Wheel		1		
5	BZ00054A	Screw	M4×16	2		
6	JG00021	Shaft		1		
7	BZ00098	Screw	M4×20	2		
8	BZ00036A	Nut	M8	1		
9	ZS00013	Brush cover		1		
11	JG00046	Washer		2		

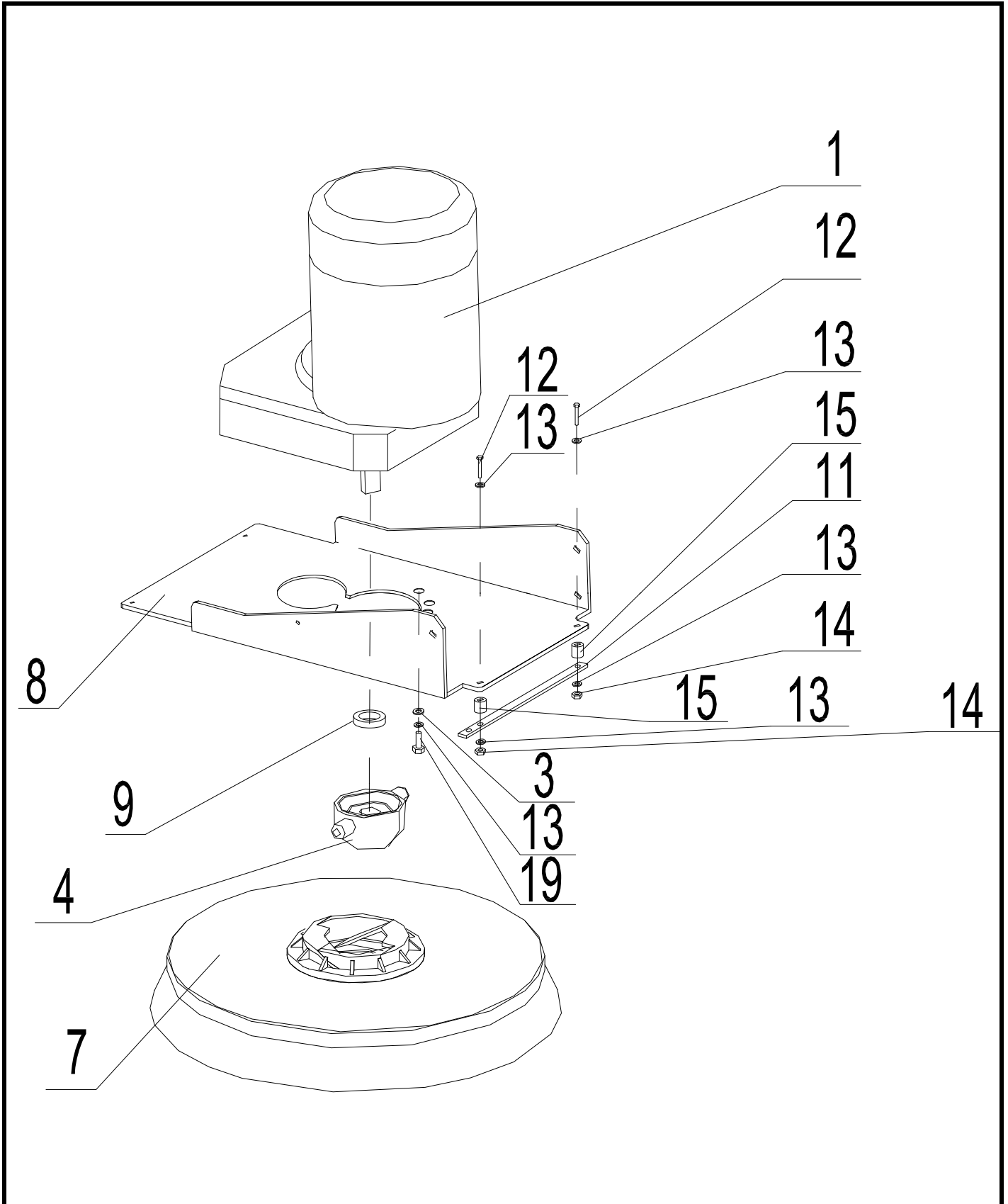


TABLE:		GT50-B50 BRUSH MOTOR				
Ref	Code	Description	Specification	Qty	From	To
1	DJ00033	Brush motor	24V	1		
3	BZ00019A	Screw	M6×16	7		
4	YZ00001	Drive disc		1		
7	PT00019	Brush		1		
8	BJ00030	Plate		1		
9	JG00038	Fixing ring		1		
11	BJ00039	Lever		1		
12	BZ00114	Screw	M6×30	2		
13	BZ00028A	Flat washer	ø6	11		
14	BZ00027A	Nut	M6	2		
15	JG00047	Bushing		2		
16	BZ00023	Screw	M6×50	3		
17	BZ00028A	Flat washer	ø6	7		
18	BZ00027A	Nut	M6	3		
19	BZ00029A	Spring washer	ø6	7		

TABLE:

GT50-B50 RELAY OF BRUSH MOTOR

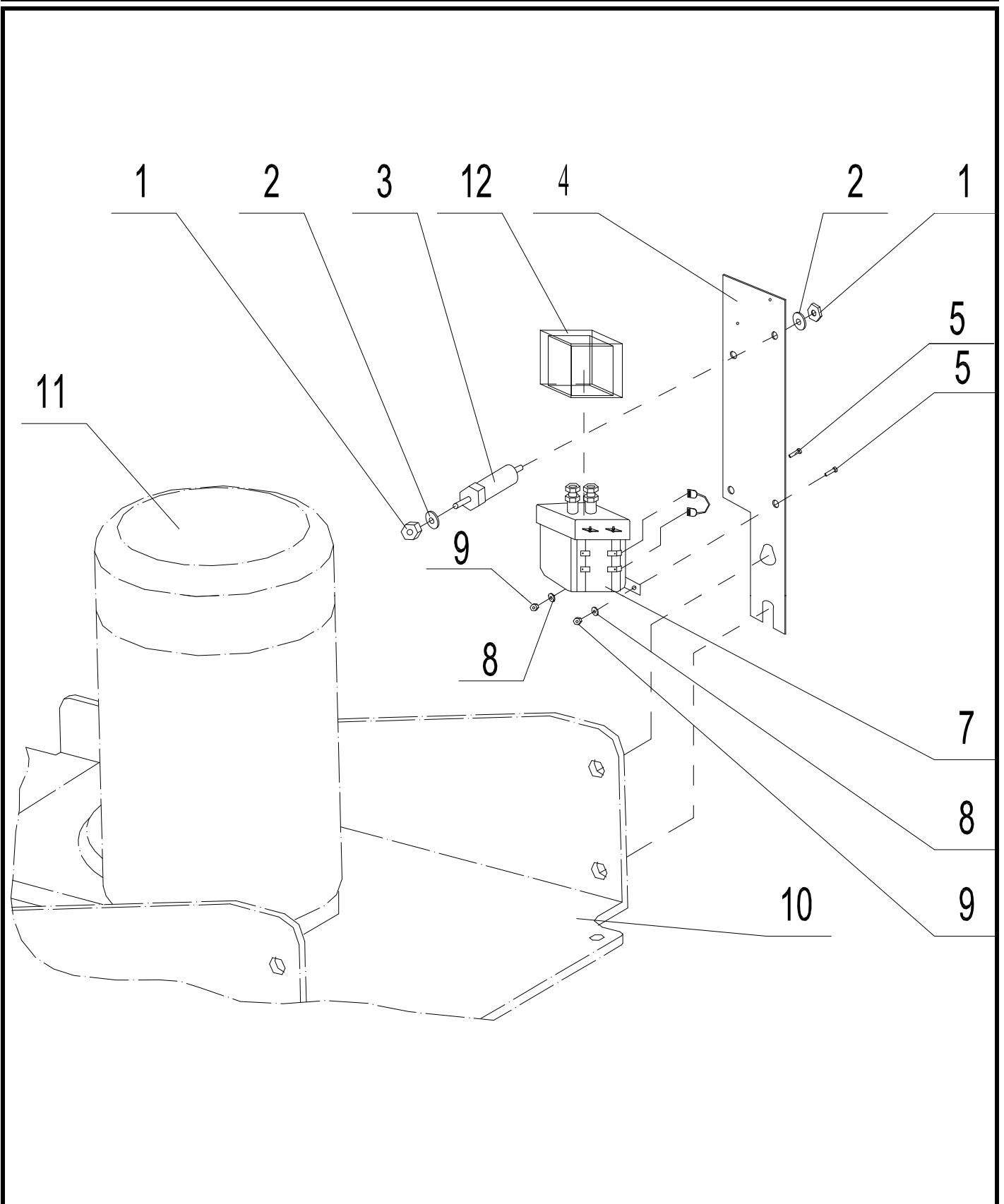


TABLE: GT50-B50 RELAY OF BRUSH MOTOR						
Ref	Code	Description	Specification	Qty	From	To
1	BZ00001A	Nut	M8	2		
2	BZ00002A	Spring washer	M8	2		
3	DQ00011	Terminal		1		
4	BJ00028	Plate		1		
5	BZ00011	Screw	M5×10	2		
7	DQ00015	Remote switch of brush motor	QCC26C-100A/10 24V	1		
8	BZ00017A	Flat washer	ø5	2		
9	BZ00016A	Nut	M5	2		
12	MF00029	Cover		1		

TABLE:

GT50-B50 SWITCH PLATE OF BRUSH

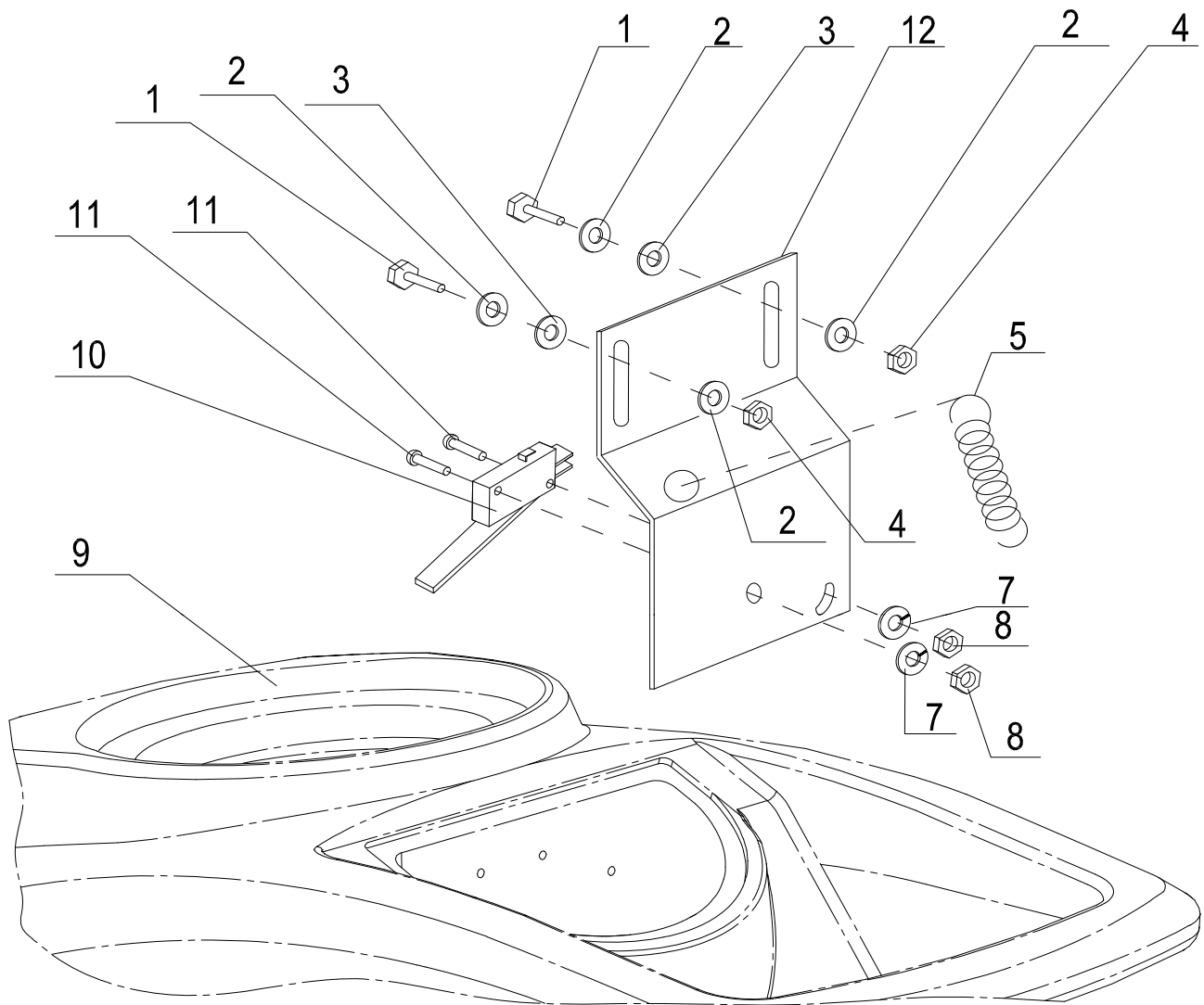


TABLE: GT50-B50 SWITCH PLATE OF BRUSH						
Ref	Code	Description	Specification	Qty	From	To
1	BZ00014A	Screw	M5×20	2		
2	BZ00017A	Flat washer	∅5	4		
3	MF00038	O Ring		2		
4	BZ00016A	Nut	M5	2		
5	TW00005	Spring		1		
7	BZ00052	Spring washer	∅3	2		
8	BZ00003A	Nut	M3	2		
10	PT00014	Mirco switch		1		
11	BZ00004A	Screw	M3 × 16	2		
12	BJ00013	Switch plate		1		

TABLE:

GT50-B50 VACUUM MOTOR

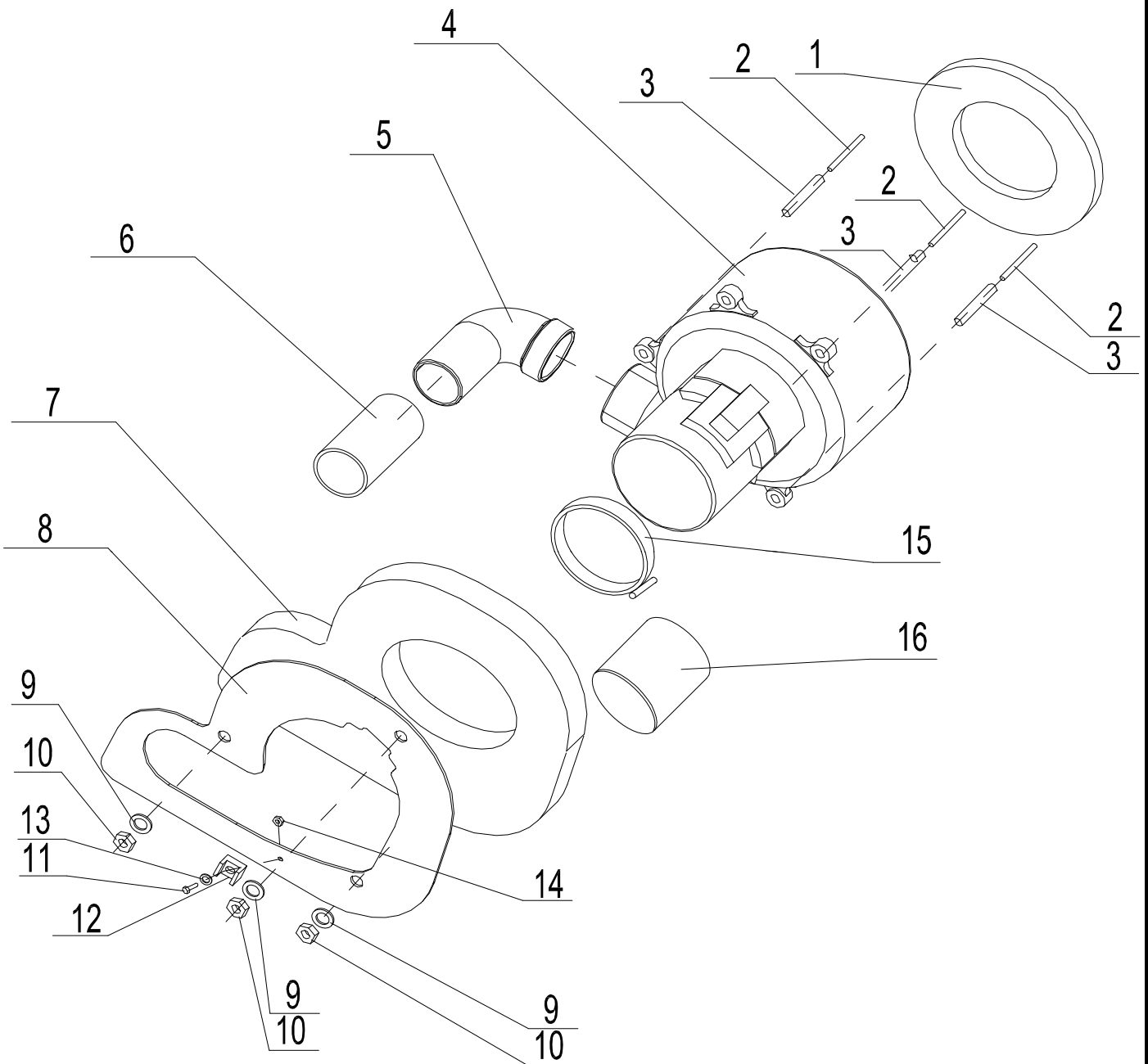


TABLE:		GT50-B50 VACUUM MOTOR				
Ref	Code	Description	Specification	Qty	From	To
1	MF00072A	Sealing washer		1		
2	BZ00025A	Screw	M6 × 110	3		
3	JG00001B	Copper bushing		3		
4	CPT00013	Vacuum motor	24V 50/60Hz	1		
5	ZS00032	Elbow		1		
6	MF00004	Rubber hose		1		
7	MF00010	Sealing washer		1		
8	BJ00029B	Pump flange		1		
9	BZ00037A	Flat washer	ø8	3		
10	BZ00027A	Nut	M6	3		
11	BZ00055	Screw	M4 × 10	1		
12	DQ00107	Permanent seat	White 22×16×9,5 ø4	1		
13	BZ00017A	Flat washer	ø5	1		
14	BZ00009A	Nut	M4	1		
15	WG00018	Clamp	ø80	1		
16	DQ00023	Bushing	ø80/3	1		
17	CPT00013X	Vacuum motor complete	24V	1		

TABLE:

GT50-B50 RELAY OF VACUUM MOTOR

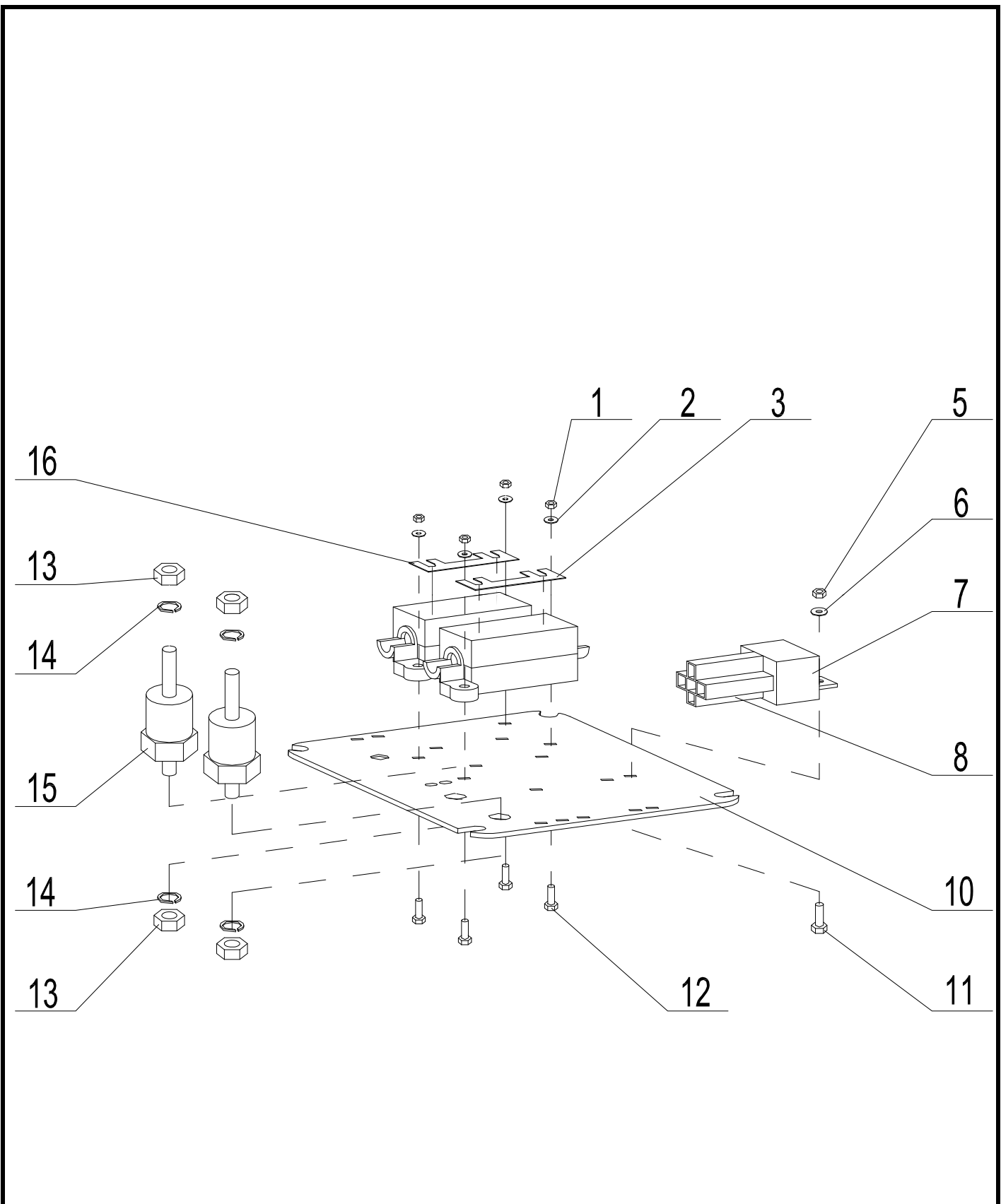


TABLE:		GT50-B50 RELAY OF VACUUM MOTOR				
Ref	Code	Description	Specification	Qty	From	To
1	BZ00009A	NUT	M4	4		
2	BZ00010A	Flat washer	∅4	4		
3	DQ00182	50A Fuse	50A	1		
5	BZ00016A	NUT	M5	1		
6	BZ00017A	Flat washer	∅5	1		
7	DQ00012	Relay of vacuum motor	024-H4ST 24V/40A	1		
8	DQ00030	Relay plate of vacuum motor		1		
10	BJ00014B	Plate		1		
11	BZ00011	Screw	M5 × 10	1		
12	BZ00006	Screw	M4 × 16	4		
13	BZ00001A	NUT	M8	4		
14	BZ00002A	Spring washer	M8	4		
15	DQ00011	Terminal		2		
16	DQ00183	30A Fuse	30A	1		

TABLE:

GT50-B50 WIRING

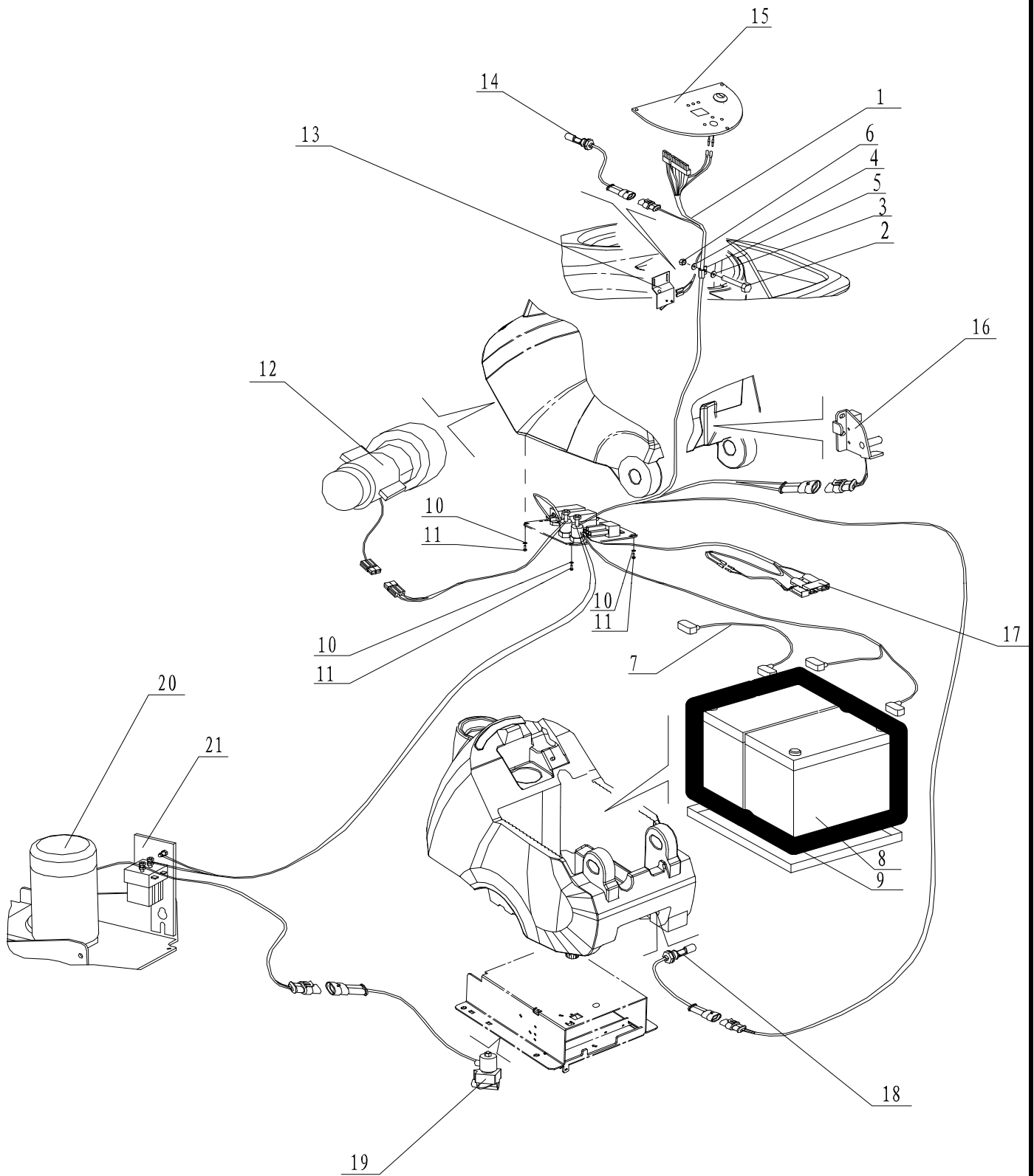


TABLE:		GT50-B50 WIRING				
Ref	Code	Description	Specification	Qty	From	To
1	PT00012	Wiring		1		
2	BZ00014	Screw	M5×20	1		
3	BZ00017A	Flat washer	M5	1		
4	MF00038	O Ring	φ8×φ1.9	1		
5	WG00025	Clip		1		
6	BZ00016A	Nut	M5	1		
7	PT00012-5	Cable for battery		1		
8	DP00027	12V Battery		2		
9	XS00001	Plastic tray		1		
10	BZ00011	Screw	M5×10	4		
11	BZ00017A	Flat washer	M5	4		

TABLE:

GT50-B50 CIRCUIT DIAGRAM

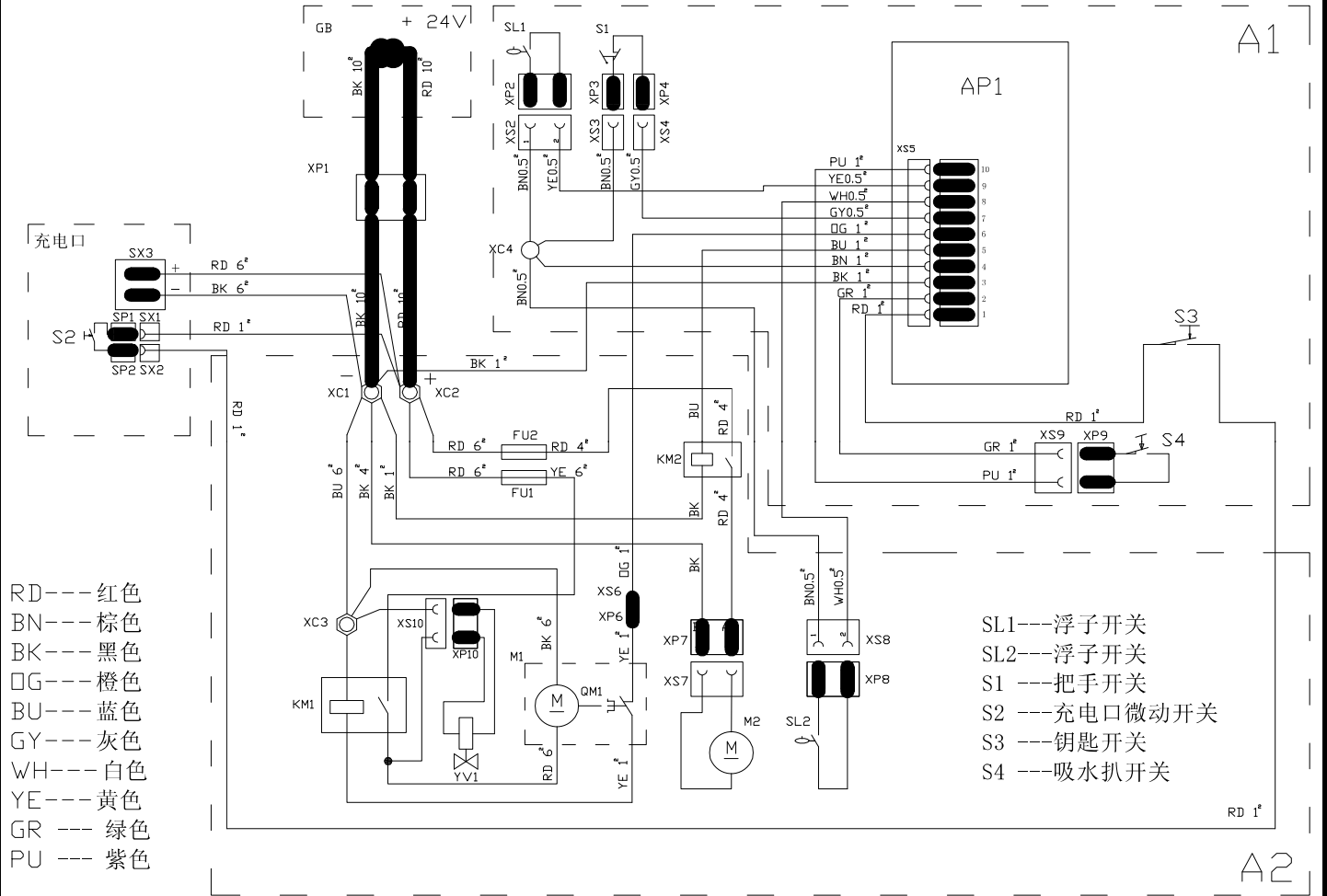


TABLE:

GT50-B50 CIRCUIT DIAGRAM

Ref	Code	Description	Specification	Qty	From	To
1	SL2	DQ00006	Float switch of solution tank			
2	SL1	DQ00006	Float switch of recovery tank			
3	GB	DP00027	Battery	24V		
4	SX3	DQ00001	Charger connector	ANEN SA50		
5	SP2	XP00021	Connector (B)			
6	SP1	XP00021	Connector (B)			
7	SX2	XP00021-1	Socket (A)			
8	SX1	XP00021-1	Socket (A)			
9	YV1	DQ00017	Solenoid valve	2W-160-15/DC24V		
10	XP9	DQ00007	Connector (B)			
11	XP8	DQ00007	Connector (A)			
12	XP7	DQ00010	25A connector	25A		
13	XP4	_____				
14	XP3	_____				
15	XP2	DQ00007	Connector (B)			
16	XS9	DQ00007	Connector (A)			
17	XS8	DQ00007	Connector (B)			
18	XS7	DQ00010	25A Connector	25A		
19	XS6	XP00021-1	Socket (A)			
20	XS5	DQ00029A	Socket			
21	XS4	DQ00089	Terminal			
22	XS3	DQ00089	Terminal			
23	XS2	DQ00007	Connector (A)			
24	XC4	DQ00185	Terminal	CE-2X		
25	XP1	DQ00021	Battery connector			
26	XC2	DQ00011	Terminal	M8-SP-24		
27	XC1	DQ00011	Terminal	M8-SP-24		
28	S4	DQ00004	Mirco switch	5A 250V		
29	S3	DQ00003	Key switch	2A 250V		
30	S2	DQ00004	Mirco switch	5A 250V		
31	S1	DQ00014	Mirco switch	16A 250V		
32	QM1	_____	Protection switch			
33	M2	DJ00018	Vacuum motor			
34	M1	DJ00004	Brush motor			
35	KM2	DQ00012	Relay of vacuum motor	70A 24V		
36	KM1	DQ00088	Relay of brush motor	100A 24V		
37	FU2	DQ00009-1	FUSE	40A		
38	FU1	DQ00008-1	FUSE	80A		
39	AP1	CPT00017	24V control panel			